

## GENERAL DESCRIPTION

The DSTINIm400 is a fully assembled and tested circuit board that evaluates the DS80C400 network microcontroller. In addition to the DS80C400, the DSTINIm400 includes a real-time clock, 1MB flash, 1MB static RAM, and support for an external Ethernet PHY for connecting to a wide variety of networks. The circuit board is designed as a module to be plugged into a 144-pin SODIMM connector. For evaluation, the DSTINIm400 can be inserted into the DSTINIs400 socket board. The combination of the two boards allows full evaluation of the features of the DS80C400 using an Ethernet network.

Detailed information about the initial setup process and use of the TINI platform is contained in *Application Note 612: Getting Started with the TINI400 (DS80C400) Verification Module*.

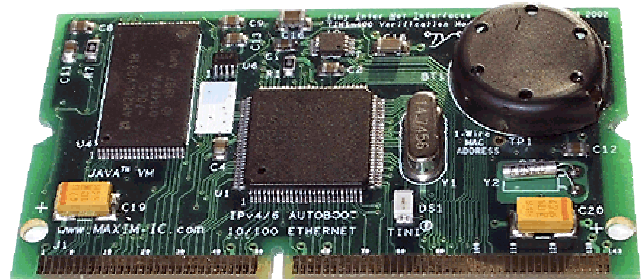
## ORDERING INFORMATION

PART	TEMP RANGE	DIMENSIONS
DSTINIm400	0°C to +70°C	Approx. 67mm x 48mm, 144 SODIMM

**Note:** To evaluate the DS80C400, order both a DSTINIm400 and a DSTINIs400.

## FEATURES

- Hosts the TINI<sup>®</sup> Runtime Environment in Validated Hardware Design (in Conjunction with the DSTINIs400)
- Industry Standard MII Interface to Connects to Network Interfaces Including 10/100 Base-T, Optical, and HomePNA
- Three Hardware Serial Ports
- Integrated 1-Wire<sup>®</sup> Network Master
- CAN2.0B Port
- Real-Time Clock for Time Stamping
- 1MB Flash ROM for Application Storage
- 1MB NV SRAM for Data Storage
- 3.3V Single-Supply Operation
- Fully Assembled and Tested Design



## COMPONENT LIST

DESIGNATION	QTY	DESCRIPTION
C1–C5, C8–C14, C17, C18	14	0.1µF, ±20%, 10V ceramic capacitors (0805)
C6, C7	2	27pF, ±20%, 50V C0G ceramic capacitors (0805)
C15	1	1.0µF, ±20%, 10V ceramic capacitor (1206)
C16	1	4.7µF, ±20%, 10V ceramic capacitor (1206)
C19, C20	2	47µF, ±20%, tantalum capacitors (C)
BT1	1	CR1632 3V lithium cell

DESIGNATION	QTY	DESCRIPTION
DN1	1	BAT54S diode (SOT23)
DS1	1	SML-LX23SRC Lumex LED
Q1, Q3	2	BSS84 P-Channel FET (SOT23)
Q2	1	2N7002 N-Channel FET (SOT23)
R1, R4, R7, R8	4	10kΩ, ±5% resistors (0805)
R2	1	1.5kΩ, ±5% resistor (0805)
R3	1	1kΩ, ±5% resistor (0805)
R5	1	2.2kΩ, ±5% resistor (0805)

TINI and 1-Wire are registered trademarks of Dallas Semiconductor.

**COMPONENT LIST (continued)**

DESIGNATION	QTY	DESCRIPTION
R6	1	10Ω, ±5% resistor (0805)
U1	1	DS80C400 networked microcontroller
U2, U3	2	HM62W8512BLTT-7UL 512kB RAM
U4	1	AM29LV081B-70EC 1MB flash
U5, U6	2	MAX6365PKA31 reset controllers

DESIGNATION	QTY	DESCRIPTION
U7	1	MAX1792EUA18 voltage regulator
U8	1	DS1672U-33 real-time clock
U9	1	DS2502-E48 IEEE MAC address
Y1	1	14.7456MHz crystal
Y2	1	32kHz crystal

**QUICK START**

It is highly recommended that the developer use the DSTINIs400 sockets board in conjunction with the DSTINIm400. The DSTINIs400 was specifically designed to hold the DSTINIm400 and provide the physical interconnects (Ethernet PHY), as well as the 1-Wire, I<sup>2</sup>C™, SPI™, CAN, and four serial port connectors.

If the developer wishes to implement his or her own design using the DSTINIm400, a 144-pin SODIMM connector such as the Hirose SX6E-144S-0.8SH is required.

The TINIm400 must be seated correctly into the DSTINIs400 to ensure a proper connection. Insert the TINIm400 into the connector at a 30-degree angle. Place index fingers behind the SODIMM connector and place thumbs on the top edge of the TINIm400, pressing firmly until it clicks into place or seats with only a millimeter of gold contact exposed. Press the TINIm400 down parallel to the TINIs400 until the side arms latch into the center of the semicircular cutouts on the TINIm400.

Note that the flash used on the DSTINIm400 limits applications to a maximum of 2x clock multiplier mode with the included 14.7456MHz crystal. Use of the 4x clock multiplier mode results in unstable operations.

**FOR MORE INFORMATION**

TINI platform details can be found at [www.maxim-ic.com/TINI](http://www.maxim-ic.com/TINI). The *TINI Specification and Developer's Guide* (Addison-Wesley, 2001) is an invaluable resource when developing with the TINI platform. Download a free copy from our website at [www.maxim-ic.com/TINIGuide](http://www.maxim-ic.com/TINIGuide).

**DS80C400 INFORMATION**

For more information about the DS80C400 network microcontroller, please consult the DS80C400 data sheet available on our website at [www.maxim-ic.com/microcontrollers](http://www.maxim-ic.com/microcontrollers).

**ADDITIONAL RESOURCES**

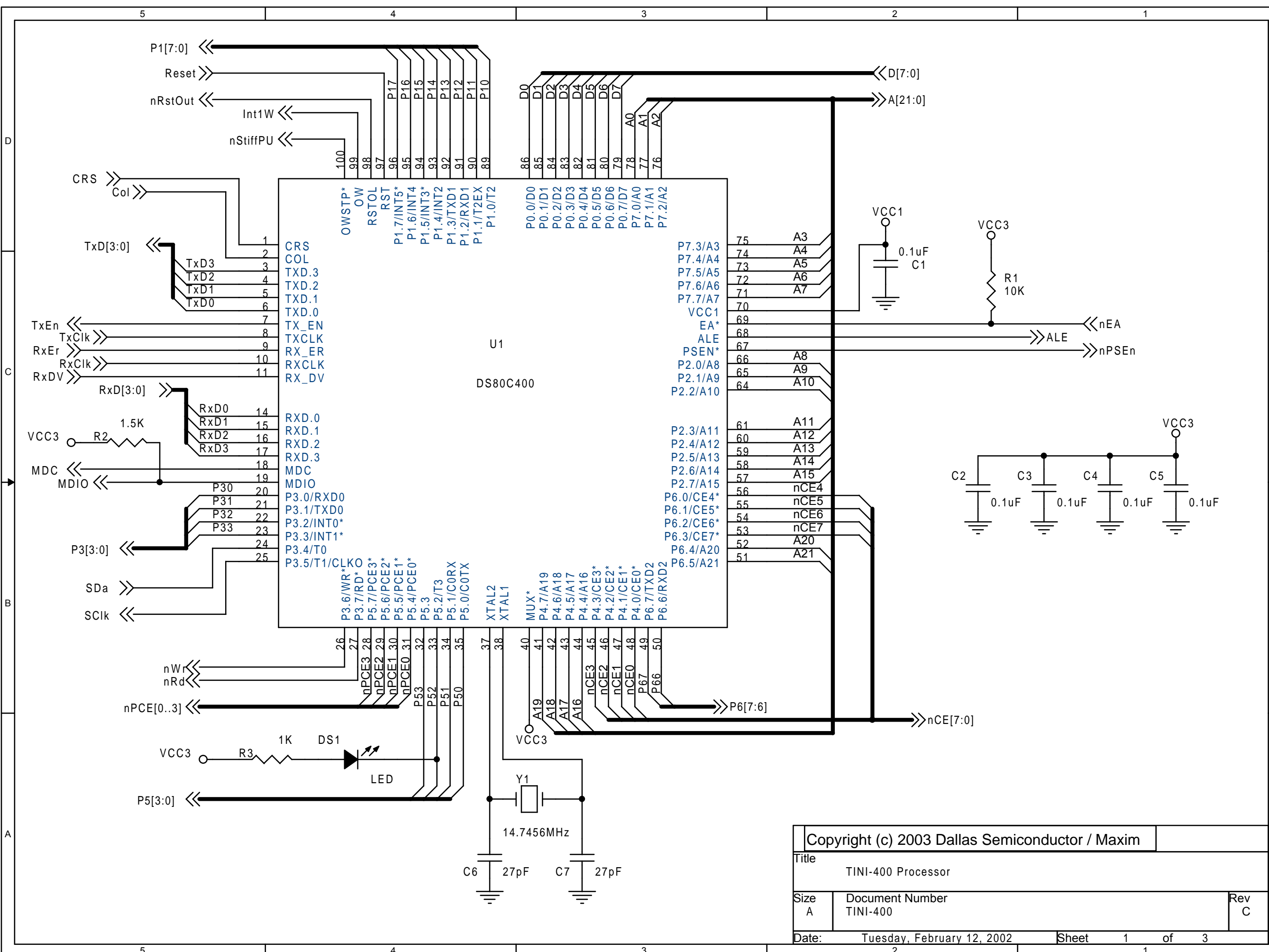
For detailed information about the initial setup and use of the TINI platform, refer to *Application Note 612: Getting Started with the TINIm400 (DS80C400) Verification Module* at [www.maxim-ic.com/appnoteindex](http://www.maxim-ic.com/appnoteindex).

DS80C400 Networked Microcontroller Data Sheet: [www.maxim-ic.com/DS80C400](http://www.maxim-ic.com/DS80C400)

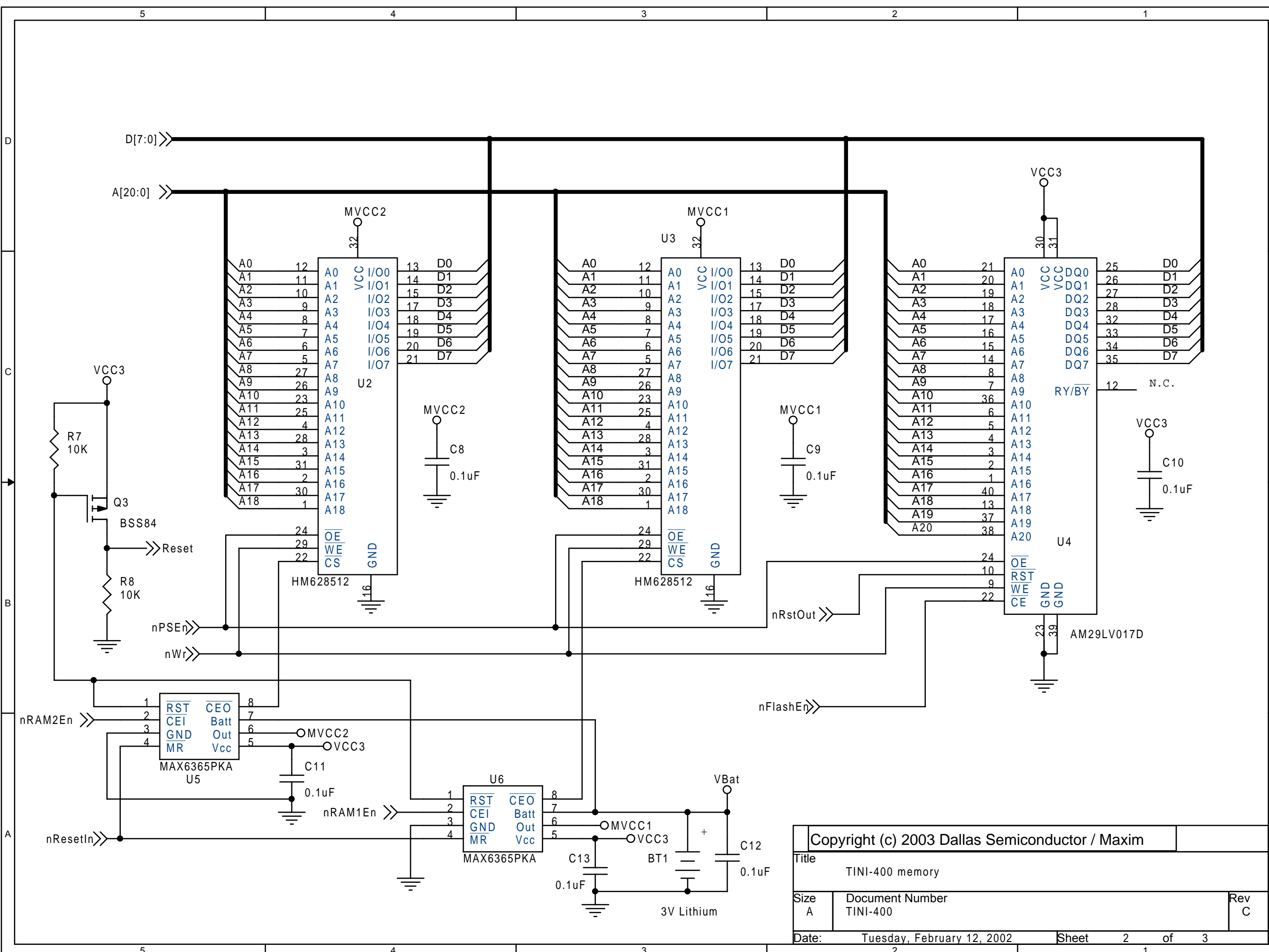
Microcontroller Website: [www.maxim-ic.com/microcontrollers](http://www.maxim-ic.com/microcontrollers)

*I<sup>2</sup>C* is a trademark of Philips Corp. Purchase of *I<sup>2</sup>C* components of Maxim Integrated Products, Inc., or one of its sublicensed Associated Companies, conveys a license under the Philips *I<sup>2</sup>C* Patent Rights to use these components in an *I<sup>2</sup>C* system, provided that the system conforms to the *I<sup>2</sup>C* Standard Specification as defined by Philips.

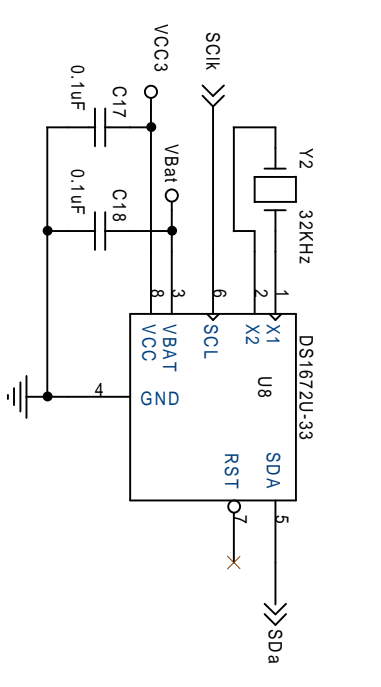
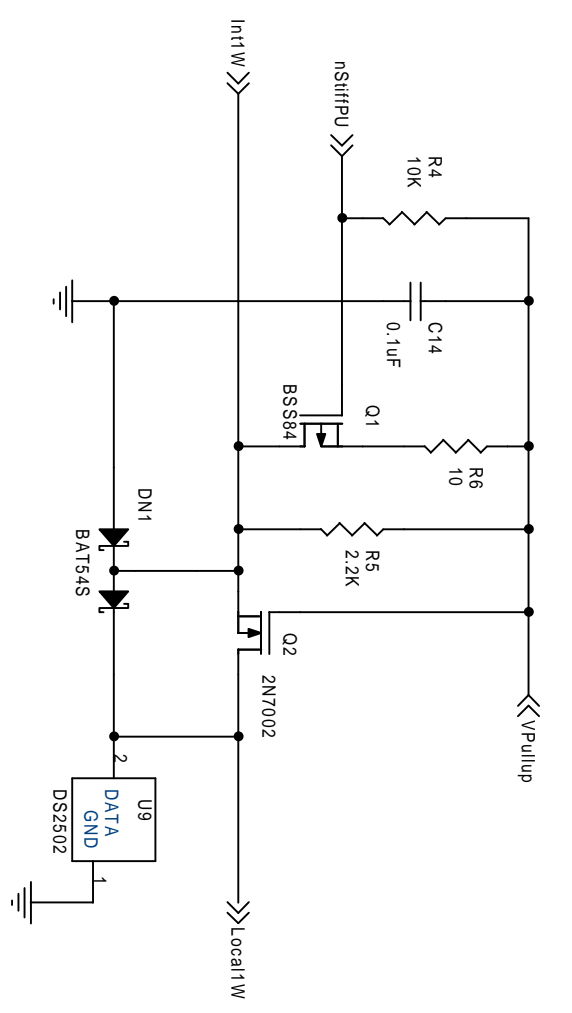
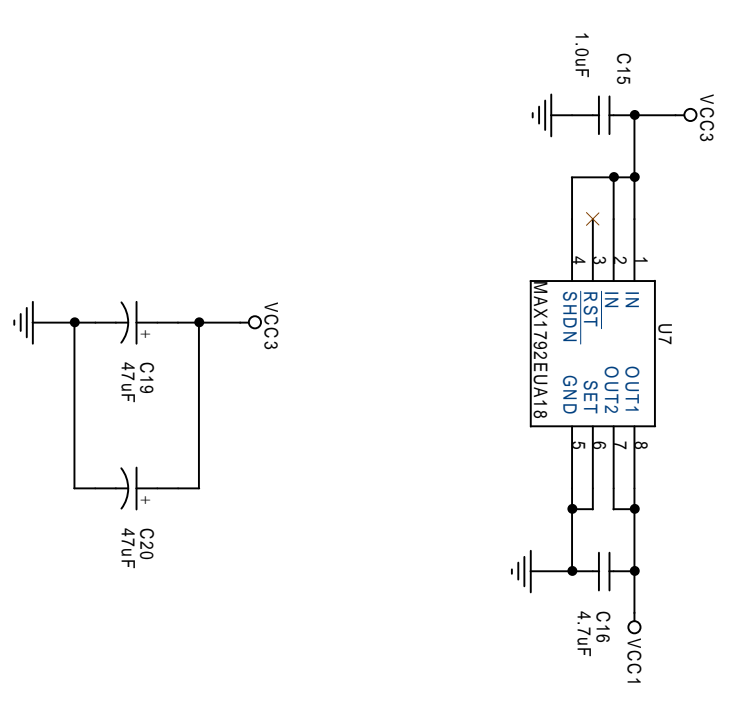
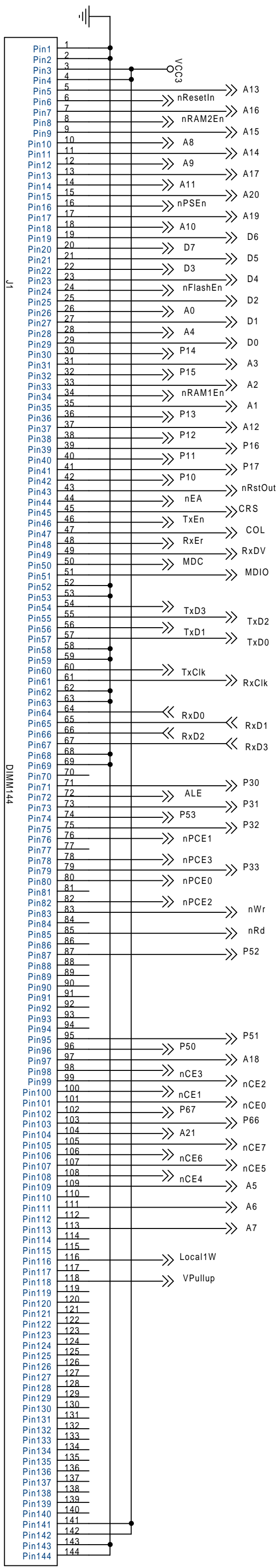
*SPI* is a trademark of Motorola Inc.



Copyright (c) 2003 Dallas Semiconductor / Maxim		
Title TINI-400 Processor		
Size A	Document Number TINI-400	Rev C
Date: Tuesday, February 12, 2002	Sheet 1	of 3



Copyright (c) 2003 Dallas Semiconductor / Maxim		
Title TINI-400 memory		
Size A	Document Number TINI-400	Rev C
Date: Tuesday, February 12, 2002	Sheet 2	of 3



Copyright (c) 2003 Dallas Semiconductor / Maxim

Title: TINI-400 Connector

Size: Document Number

Rev: B

Date: Tuesday, February 12, 2002

Sheet 3 of 3